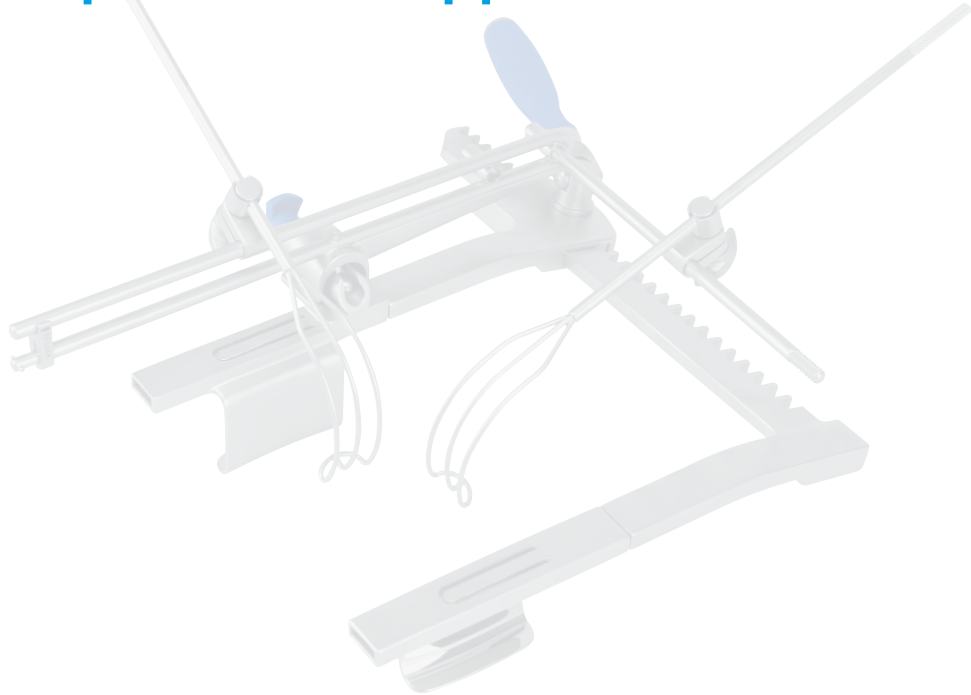


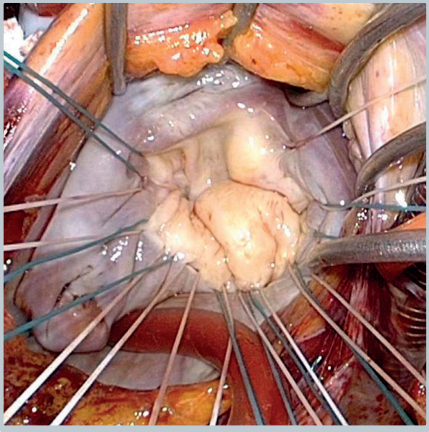


## Atrial Displacement Approach to Mitral Surgery



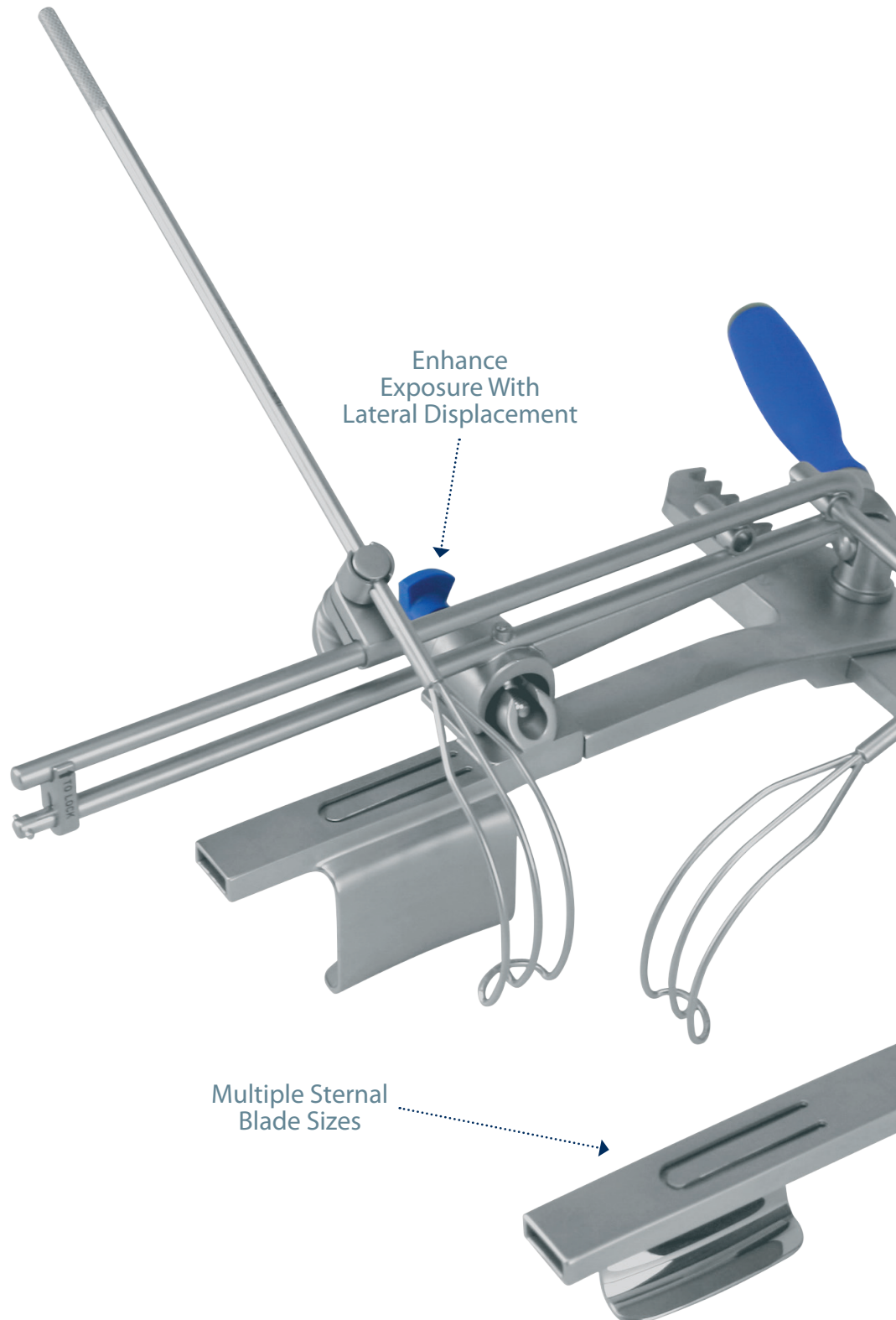
Optimize Access, Increase Exposure, Facilitate Precision  
Dr. Adams's Instrument Platform

# Adams Retractor



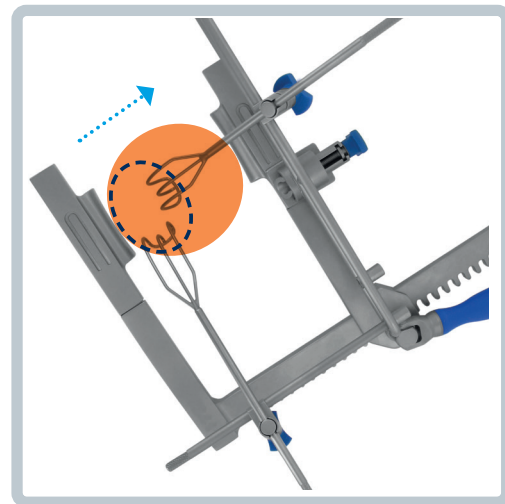
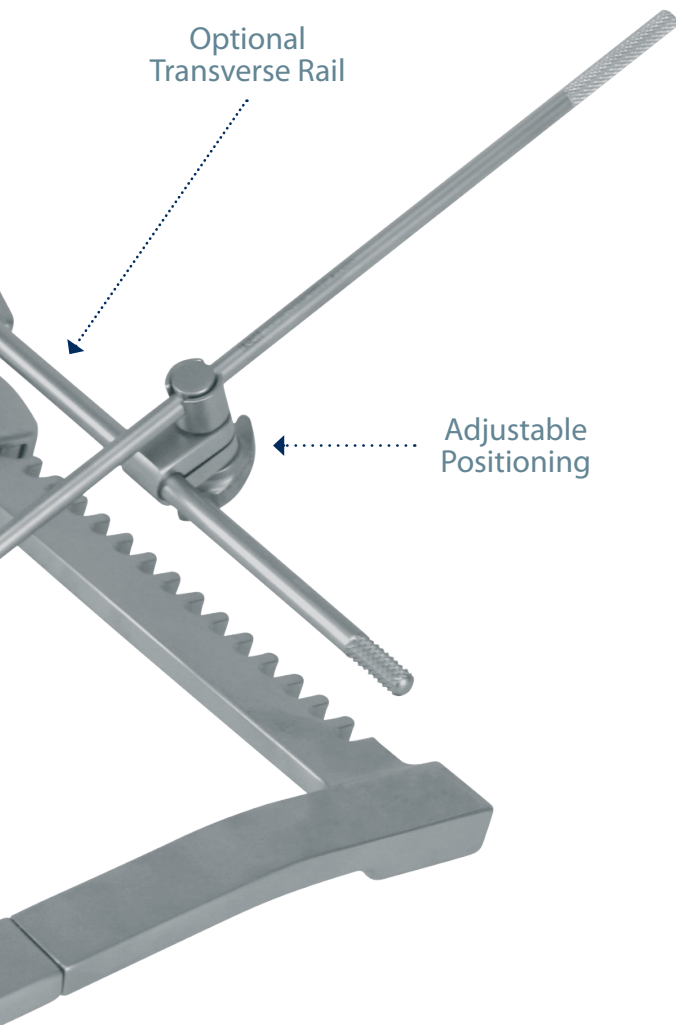
« The lateral displacement system optimizes the working mitral access area without the need for additional sternal spreading. »

*Dr. David Adams*



## Operative Benefits

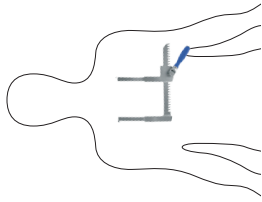
- Improved Mitral Visualization With Less Sternal Spreading
- Progressive Platform From Conventional to Modern Sternotomy
- Adaptative to Each Patient's Anatomy
- Superior Retention of Atrial Lift
- Low-Profile System to Optimize Operative Space



- Initial Exposure
- Exposure After Adjustment

# Adams Retractor

## Rack Down Configuration



**DC30149-01**

c: 180mm - 7" d: 180mm - 7"

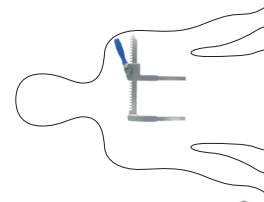
Included:

- Fixed Arm With Rack
- Mobile Arm With Key Hole
- Key Handle

### Sternal Blades

Compatible with DC30149-01

## Rack Up Configuration



**DC30149-02**

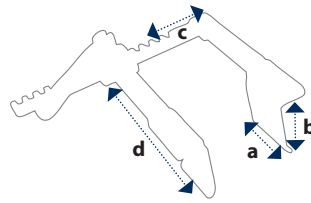
c: 180mm - 7" d: 160mm - 6<sup>1</sup>/<sub>4</sub>"

Included:

- Fixed Arm With Rack
- Mobile Arm With Key Hole
- Key Handle

### Sternal Blades

Compatible with DC30149-02



## Modern Sternotomy



**DC30145-30**

a: 50mm - 2" b: 30mm - 1<sup>1</sup>/<sub>4</sub>"

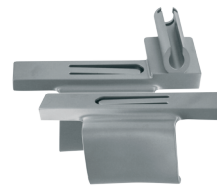


**DC30145-40**

a: 50mm - 2" b: 40mm - 1<sup>1</sup>/<sub>2</sub>"

**DC30145-70**

a: 70mm - 2<sup>3</sup>/<sub>4</sub>" b: 40mm - 1<sup>1</sup>/<sub>2</sub>"



**DC30146-30**

a: 50mm - 2" b: 30mm - 1<sup>1</sup>/<sub>4</sub>"



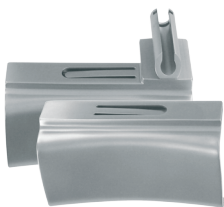
**DC30146-40**

a: 50mm - 2" b: 40mm - 1<sup>1</sup>/<sub>2</sub>"

**DC30146-70**

a: 70mm - 2<sup>3</sup>/<sub>4</sub>" b: 40mm - 1<sup>1</sup>/<sub>2</sub>"

## Conventional Sternotomy



**DC30165-30**

a: 97mm - 3<sup>3</sup>/<sub>4</sub>" b: 30mm - 1<sup>1</sup>/<sub>4</sub>"

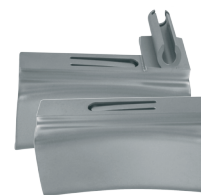
**DC30165-40**

a: 97mm - 3<sup>3</sup>/<sub>4</sub>" b: 40mm - 1<sup>1</sup>/<sub>2</sub>"



**DC30165-50**

a: 97mm - 3<sup>3</sup>/<sub>4</sub>" b: 50mm - 2"



**DC30166-30**

a: 97mm - 3<sup>3</sup>/<sub>4</sub>" b: 30mm - 1<sup>1</sup>/<sub>4</sub>"

**DC30166-40**

a: 97mm - 3<sup>3</sup>/<sub>4</sub>" b: 40mm - 1<sup>1</sup>/<sub>2</sub>"



**DC30166-50**

a: 97mm - 3<sup>3</sup>/<sub>4</sub>" b: 50mm - 2"

DC30148-00



**Medial Rail System With Screw - 240 mm - 9<sup>1/2</sup>"**

- ✦ Enhanced Valvular Exposure via Mobilization of Atrium Laterally up to 30 mm
- ✦ Locking Mechanism Improves Structural Support and Stability
- ✦ Two Positions to Enable Superior Triangulation for Antero-Lateral Atrial Retraction
- ✦ Use DC30151-50 for Additional Screw



DC30147-00



**Transverse Rail - 170 mm - 6<sup>3/4</sup>"**

- ✦ Transverse Rail With Anti-Rotational, Secured "Click-in" Function
- ✦ Rail Improves Valvular Exposure Through Antero-Lateral Atrial Hook Positioning



DC30159-02



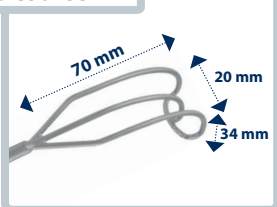
**Attachment Bracket (Atrial Hook) - 40 mm - 1<sup>1/2</sup>"**

- ✦ Non-Detachable Component for Improved Ease of Use
- ✦ Superior Retention of Atrial Hook
- ✦ Compatible With Accessories having a 5 mm Diameter Shaft



DC30153-22

DC30153-27

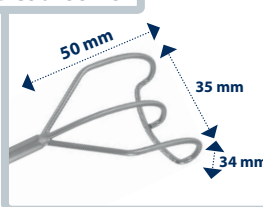


**Long and Thin Hook**

DC30153-22  
L: 220 mm - 8<sup>3/4</sup>"  
DC30153-27  
L: 270 mm - 10<sup>3/4</sup>"

DC30155-20

DC30155-25

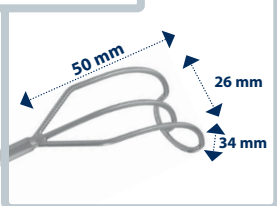


**Large Hook**

DC30155-20  
L: 200 mm - 8"  
DC30155-25  
L: 250 mm - 10"

DC30154-20

DC30154-25

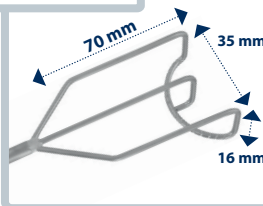


**Medium Hook**

DC30154-20  
L: 200 mm - 8"  
DC30154-25  
L: 250 mm - 10"

DC30156-22

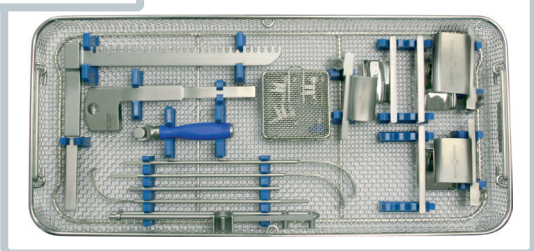
DC30156-27



**Tricuspid Hook**

DC30156-22  
L: 220 mm - 8<sup>3/4</sup>"  
DC30156-27  
L: 270 mm - 10<sup>3/4</sup>"

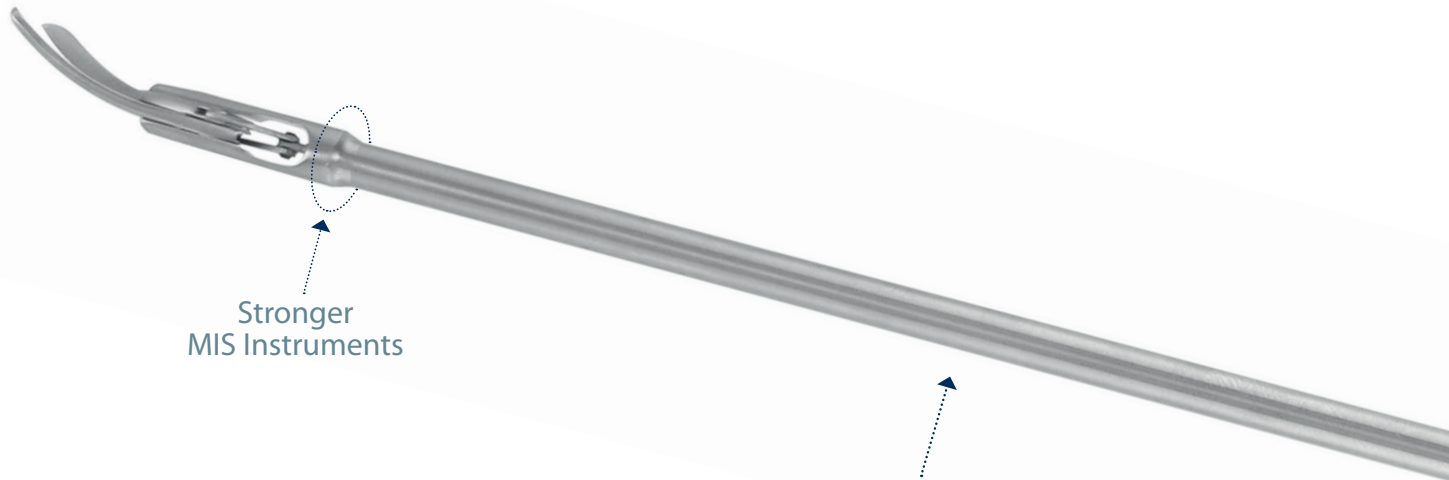
DC30159-00



**Sterilization Tray for Adams Retractor - 540 x 250 x 70 mm - 21<sup>1/4</sup>" x 10" x 2<sup>3/4</sup>"**

- ✦ Ensure the Safety of Your Retractor During Transportation, Cleaning and Sterilization
- ✦ Provided With Lid and Accessories - Instruments not Included

« Enables Precision in Facilitation of Valvular Operations via Median Sternotomy through Robust Jaw Design, Ideal Working Length, and Ergonomics in Instrument Function. »



Stronger  
MIS Instruments

Adapted Shaft Length  
and Diameter

**DeBakey Forceps**

**Resano Forceps**

**Robust Scissors  
Curved**

**Robust Scissors  
Strongly Curved**

**Robust Needle Holder  
Curved**

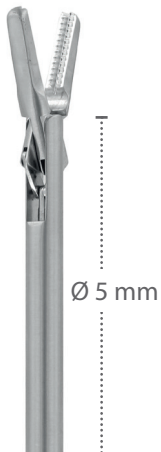
DC80200-30

DC80202-30

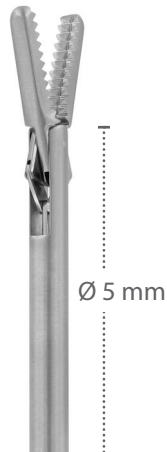
DC80132-30

DC80133-30

DC80019-30



Ø 5 mm



Ø 5 mm



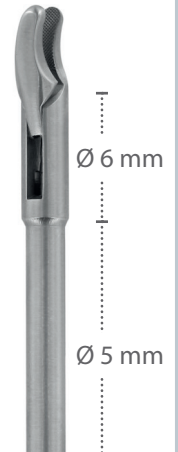
Ø 7 mm

Ø 5 mm



Ø 7 mm

Ø 5 mm



Ø 6 mm

Ø 5 mm

For Both Needles and Tissues

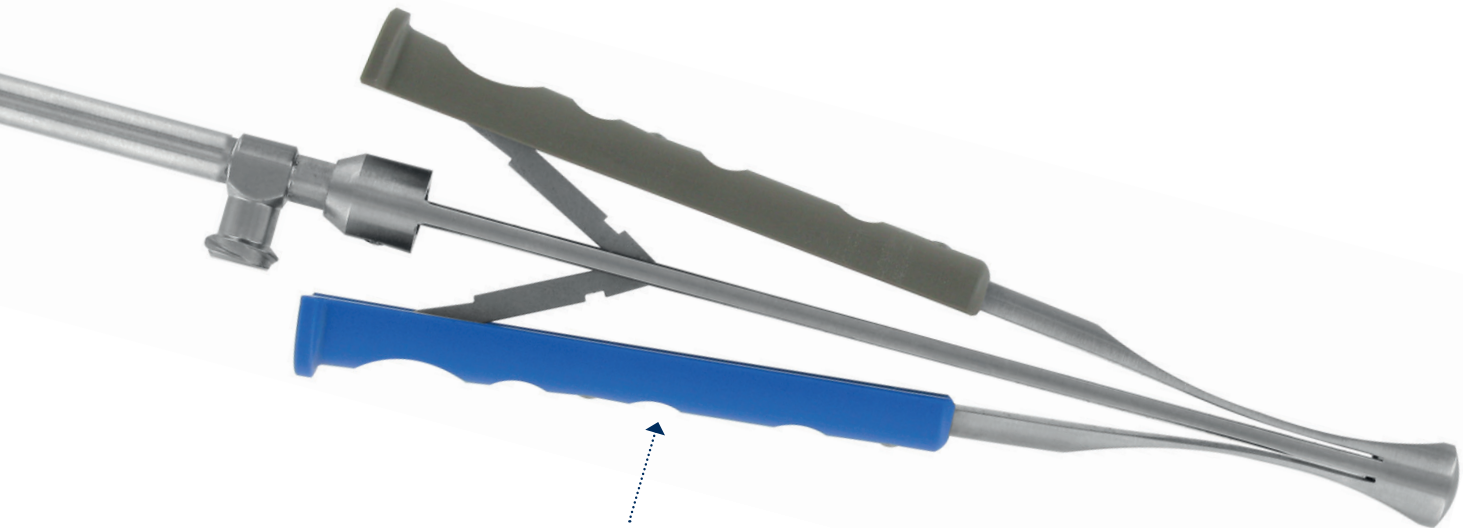
For Valvular Tissues

Improved Cutting Power of Calcified Tissues

Secured Grip on the Needle

## Operative Benefits

- Enhanced Ergonomics for Surgeons' Posture
- Optimal Control With an Ideal Working Length to Access Valvular Anatomy
- Precision and Strength in Functionality with Enhanced Jaw Designs
- Improved Working Access based on Low-Profile, Single Shaft Design
- Compatible with Progressive Surgical Approaches



SuperGrip "V" Handle

**Hook**

DC81301-00



**Knot Pusher**

DC81308-00



**Scalpel Blade Holder**

DC81330-00



**Blade Model Reference**

10	B130100
11P	B13011P
12	B130120
15S	B13015S
18	B130180
19	B130190

Adjustable Length Between 290 mm - 11<sup>1</sup>/<sub>2</sub>" and 360 mm - 14<sup>1</sup>/<sub>4</sub>"

**Dr. David Adams Recommended Set**

**Adams Retractor**

*Example: Rack Down Configuration - Progressive Blade Sizes*



**DC30149-01:** Adams Retractor - 180 mm - 7"



**DC30148-00:** Medial Rail System With Screw - 240 mm - 9 1/2"



**DC30145-30:** Sternal Blades - 50 x 30 mm - 2" x 1 1/4"



**DC30147-00:** Transverse Rail - 170 mm - 6 3/4"



**DC30145-40:** Sternal Blades - 50 x 40 mm - 2" x 1 1/2"

**3x DC30159-02:** Attachment Bracket for Hooks - 40 mm - 1 1/2"



**DC30145-70:** Sternal Blades - 70 x 40 mm - 2 3/4" x 1 1/2"

**2x DC30153-27:** Long and Thin Atrial Hook - 270 mm - 10 3/4"



**DC30159-00:** Sterilization Tray - 540 x 250 x 70 mm - 21 1/4" x 10" x 2 3/4"



**DC30154-25:** Medium Atrial Hook - 250 mm - 10"

**Adams Instruments and Accessories**



**2x DC80200-30:** MIS DeBakey Forceps - 300 mm - 11 3/4" - Ø 5 mm



**2x DC80019-30:** MIS Robust Needle Holder, Curved - 300 mm - 11 3/4" - Ø 5/6 mm



**DC80202-30:** MIS Resano Forceps - 300 mm - 11 3/4" - Ø 5 mm



**DC81301-00:** MIS Hook - 290 to 360 mm - 11 1/2" to 14 1/4"



**DC80132-30:** MIS Robust Scissors, Curved - 300 mm - 11 3/4" - Ø 5/7 mm



**DC81308-00:** MIS Knot Pusher - 290 to 360 mm - 11 1/2" to 14 1/4"



**DC80133-30:** MIS Robust Scissors, Strongly Curved - 300 mm - 11 3/4" - Ø 5/7 mm



**DC81330-00:** MIS Scalpel Blade Holder - 290 to 360 mm - 11 1/2" to 14 1/4"



**DC81900-05:** Sterilization Tray for MIS Instruments - 540 x 250 x 70 mm - 21 1/4" x 10" x 2 3/4"



**Corporate Office**

217, Rue du Faubourg St Honoré - 75008 Paris - France

**Manufacturing and logistic**

Rue Renée et Louis Landanger - 52000 Chaumont - France - Phone : +33 (0) 3 25 02 10 35 - Fax : +33 (0) 3 25 02 10 20

Email : export@delacroix-chevalier.com - www.delacroix-chevalier.com